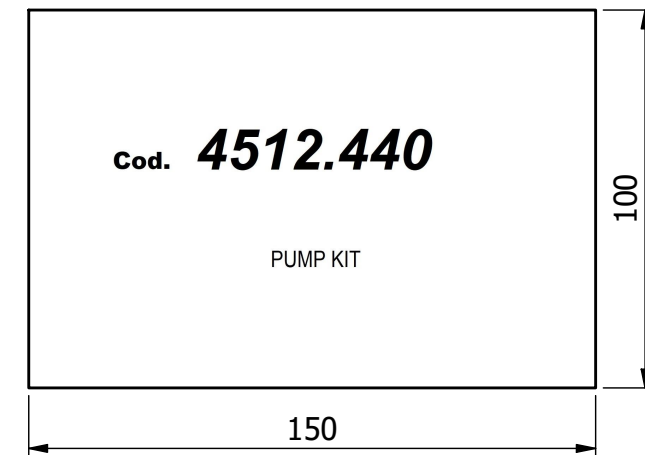


Condensation pump

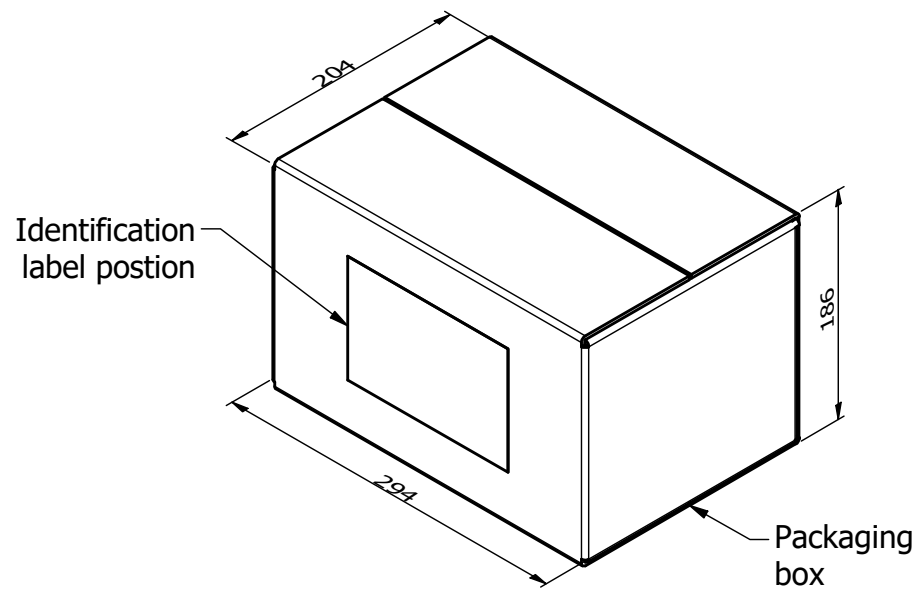
Hose

Identification label



Notes:

- condensation pump data
- type: 1306531;
- Voltage: AC 220 V 50/60 Hz;
- Input power: 58/55 W;
- Max. totalhead: 5,2/6,2 m;
- Discharge bore: 10 mm (inner size);
- Product code: 807901;
- Manufacturer: HEYLO GmbH;
- 3 m condensate hose;
- instruction sheet.



General Tolerances ( linear,angular,geometric ) according to UNI EN 22768-mK

Linear tolerance class	0,5 + 3	3 + 6	6 + 30	30 + 120	120 + 400	400 + 1000	1000 + 2000	Angular tolerance class	0,5°+3°	3° + 6°	> 6°	
<b>M - Media</b> ( mm )	± 0.1	± 0.1	± 0.2	± 0.3	± 0.5	± 0.8	± 1.2	<b>M - Media</b> ( ° )	± 0.2°	± 0.5°	± 1°	
<p><b>Dantherm</b> CONTROL YOUR CLIMATE</p>												
Sheet size	A3											
Approval	MC	Date Approval	03/10/2019	Rev.	MC	Mod. by	-	N°	03/10/2019	Description of change		
Signature	MC	Date 1st emission	03/10/2019	Description						Code		
Scale	1:5		Heater Type	-						Material		
Indicative mass	2,925 kg		-						ASSIEME		4512.440	
This drawing owned by company Dantherm Italy is protected by applicable law and is prohibited the reproduction												